

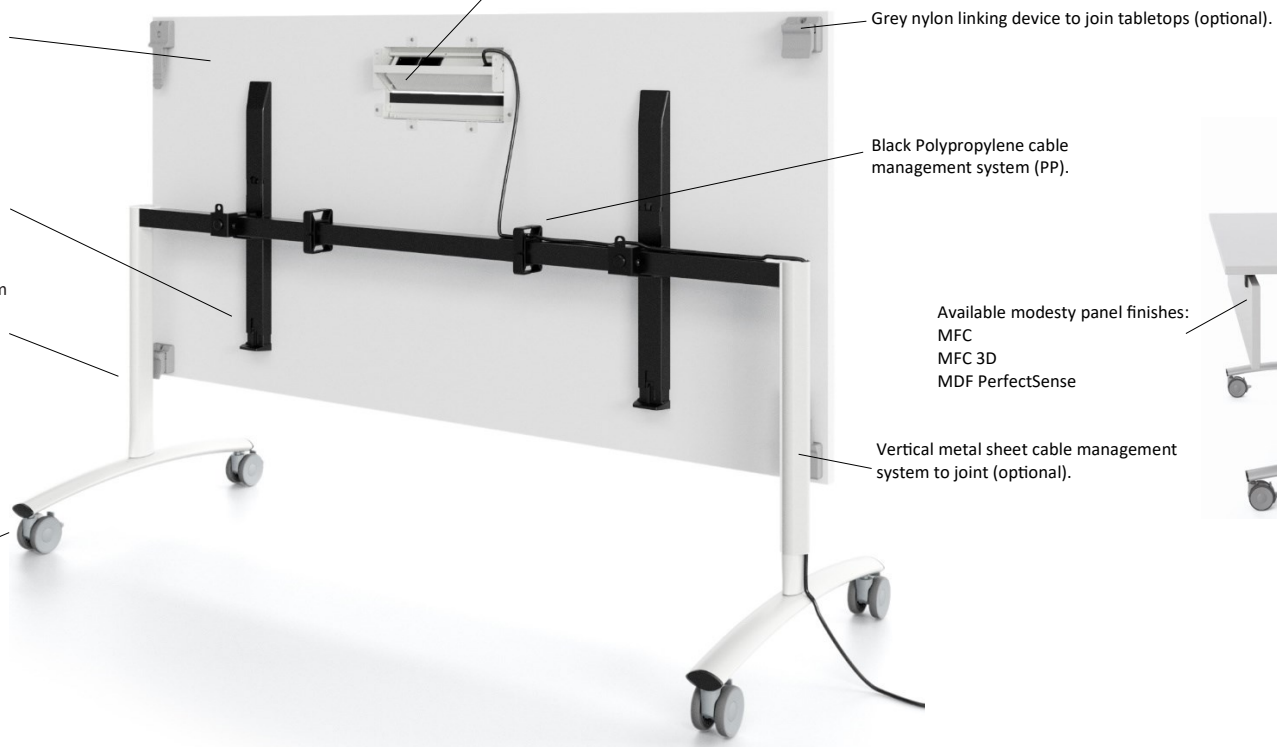
Steel box for 4 or 6 module with electrical and/or multimedia system.
Painted White, Black or Grey.
Available with cable management (optional).

Available top finishes:
MFC
MFC FSC® (Available upon request)
MFC 3D
MDF PerfectSense
Writable Laminate

Steel sheet metal Flip top mechanism with release handles.
Cover in black polypropylene (PP).

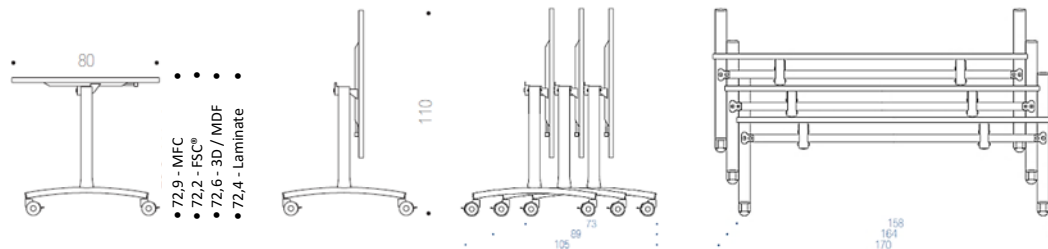
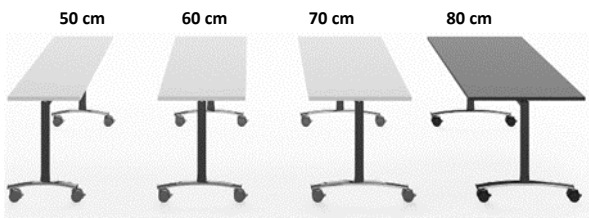
Leg with oval steel pipe column 60x30 mm with conical end, elliptical steel pipe foot 60x30 mm.
Epoxy powder painting:
Black RAL 9005
Grey
White RAL 9003

Swivel castor with pedal brake \varnothing 75 mm, polyamide support and thermoplastic rubber.



Available modesty panel finishes:
MFC
MFC 3D
MDF PerfectSense

Vertical metal sheet cable management system to joint (optional).



Leg Finishes

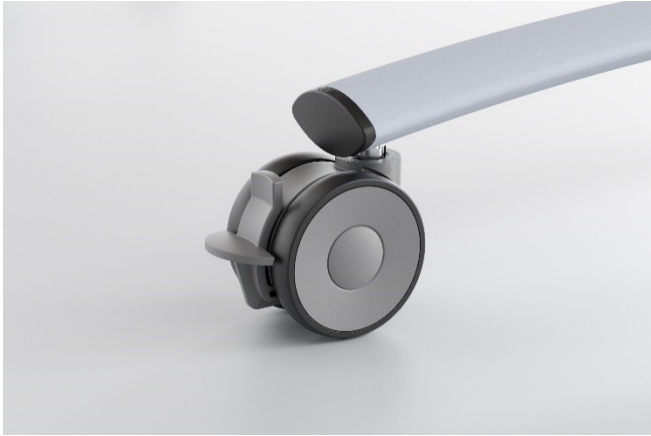


Leg with oval steel pipe column 60x30 mm with conical end, elliptical steel pipe foot 60x30 mm.
 Epoxy powder painting .
 Available finishes:
 Black RAL 9005
 Grey
 White RAL 9003

Top Finishes

<p>MFC thk.25 mm edge in ABS thk.2 mm</p>	<p>WHITE U12 (FSC® thk.18 mm available upon request)</p> <p>GREY 0FP</p> <p>LIGHT OAK 0ON</p>
<p>MFC 3D thk.22 mm edge in ABS thk.1 mm</p>	<p>GREY OAK S075</p> <p>HONEY OAK S073</p> <p>WHITE OAK S074</p> <p>NATURAL OAK ST37</p>
<p>MDF PerfectSense thk.22 mm edge in ABS thk.1 mm</p>	<p>BLACK U999</p> <p>WHITE W1100</p> <p>STONE GREY U727</p> <p>GRAPHITE GREY U961</p>
<p>*Writable Laminate thk.20 mm edge in ABS thk.2 mm</p>	<p>WHITE 028</p>

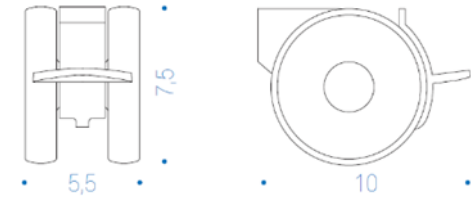
*Available only for Archimede160AR/ Electrical Boxes not available with this finishing.



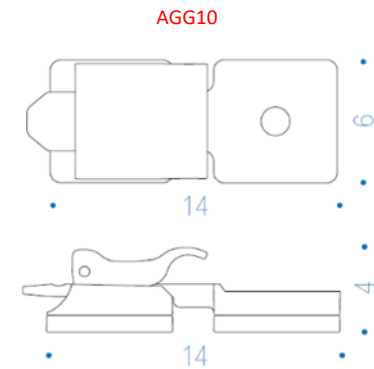
Swivel castor with kick pedal brake \varnothing 75 mm.
 Polypropylene support with thermoplastic rubber tread.
 Suitable for carpet floors.
 Load capacity (static) 120 kg.

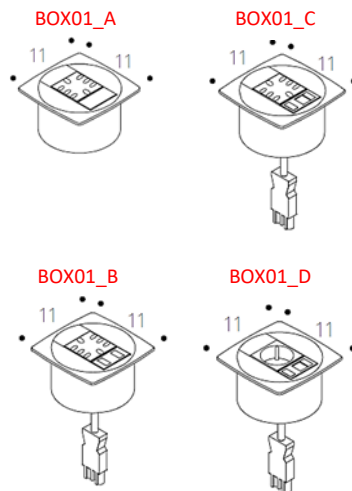


Pin castor is screwed to the nut placed internally of the nylon castor.

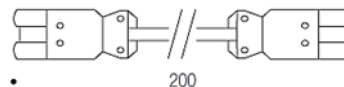


Grey nylon linking device to join tabletops with straight corners 90°.

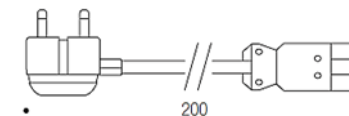




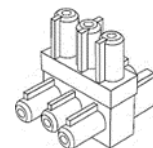
CAV_002
Connection cable between electrical modules 2 mt.
(H05VV-F 3G 1.5 mm² / GST18 - GST18).



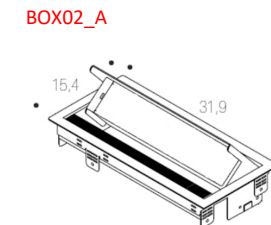
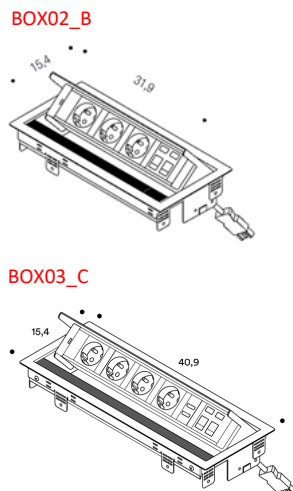
CAV_004
Electric cable 2 mt.
(H05VV-F 3G 1.5 mm² / GST18 - Male).



CAV_015
Power distributor with 3 poles.



Single module in ABS with electrical and/or multimedia system or cable management.
Available colours Dark grey RAL 7024 and White RAL 9016.



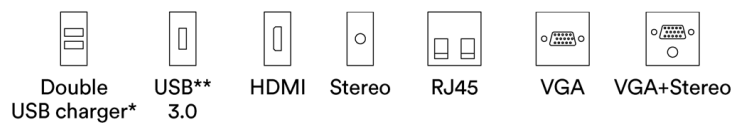
Steel box for 4 or 6 module with electrical and/or multimedia system.
Available colours Black RAL 9017, Grey RAL 9006 and White RAL 9016.

Painted steel cable management resealable module.
Available colours Black RAL 9017, Grey RAL 9006 and White RAL 9016.

National and International Sockets

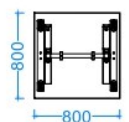


Multimedia Accessories

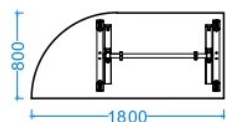


* USB charger only charger
** USB 3.0 only data

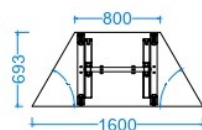
Shapes and tops dimensions



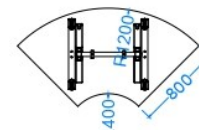
ARCHIMEDE 80AQ



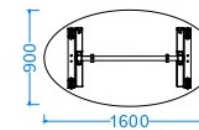
ARCHIMEDE 180AN



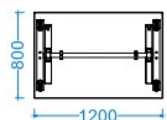
ARCHIMEDE 160AT



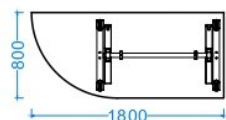
ARCHIMEDE 120AC



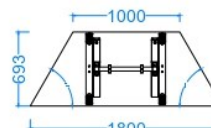
ARCHIMEDE 160AL



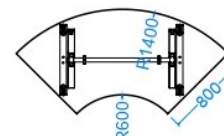
ARCHIMEDE 120AR



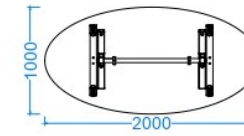
ARCHIMEDE 180AD



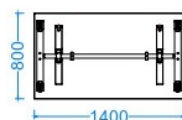
ARCHIMEDE 180AT



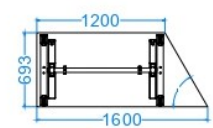
ARCHIMEDE 140AC



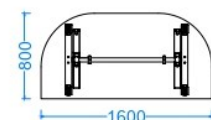
ARCHIMEDE 200AL



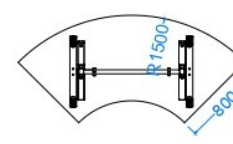
ARCHIMEDE 140AR



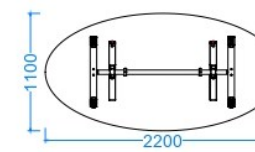
ARCHIMEDE 160AH



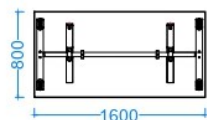
ARCHIMEDE 160AV



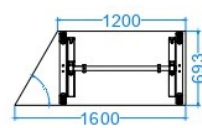
ARCHIMEDE 150AC



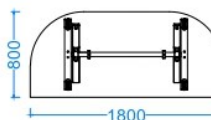
ARCHIMEDE 220AL



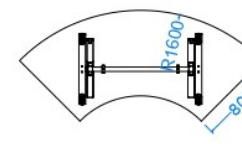
ARCHIMEDE 160AR



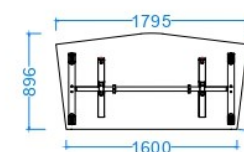
ARCHIMEDE 160AG



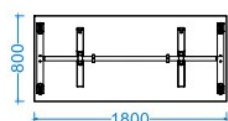
ARCHIMEDE 180AV



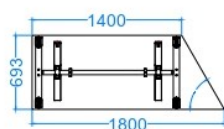
ARCHIMEDE 160AC



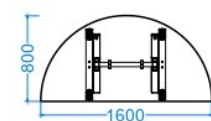
ARCHIMEDE 160AP



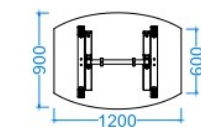
ARCHIMEDE 180AR



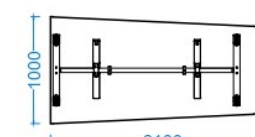
ARCHIMEDE 180AH



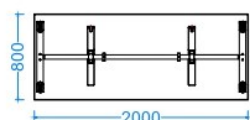
ARCHIMEDE 160AM



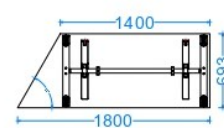
ARCHIMEDE 120AB



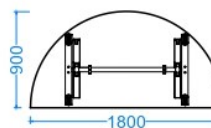
ARCHIMEDE 210AA



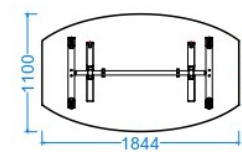
ARCHIMEDE 200AR



ARCHIMEDE 180AG

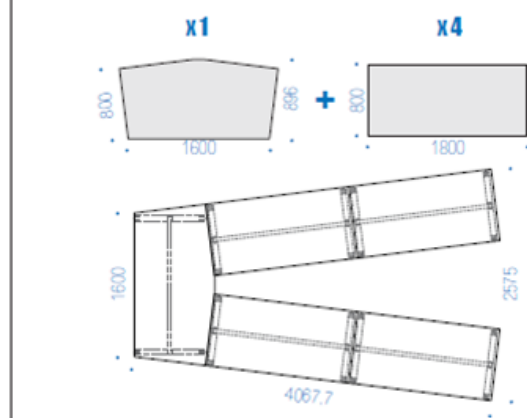
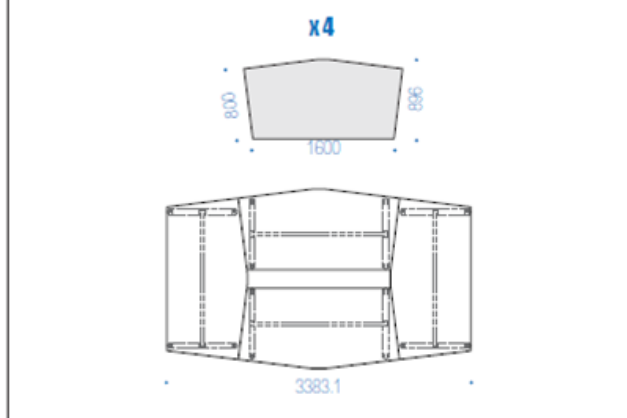
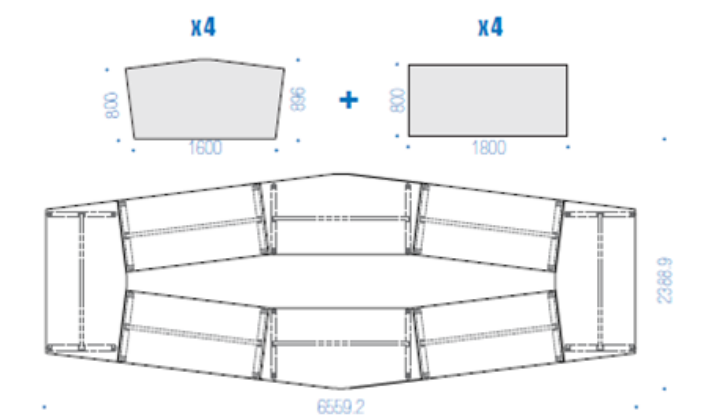
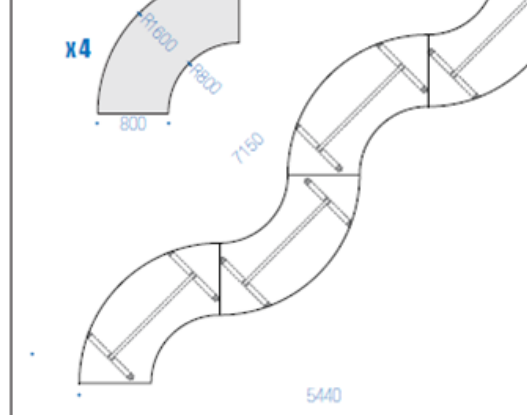
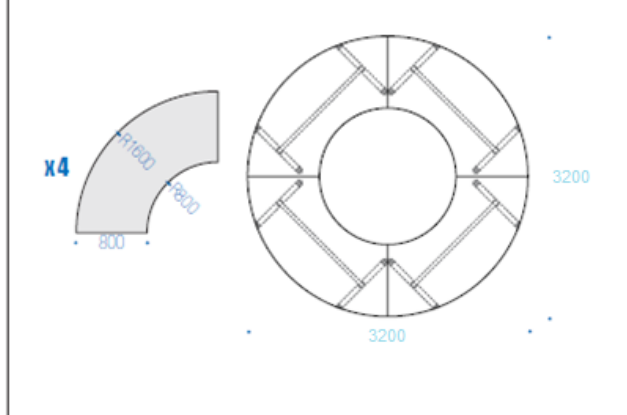
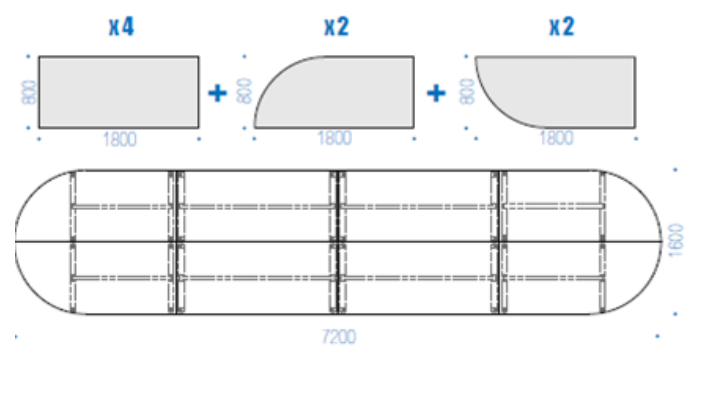
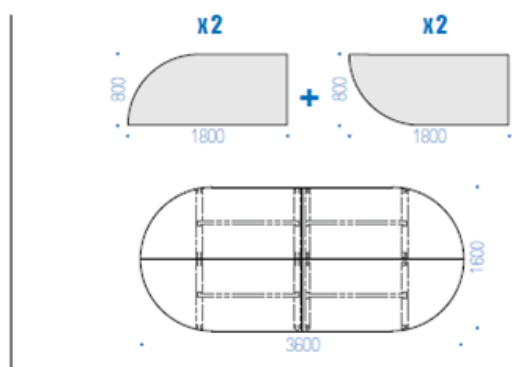
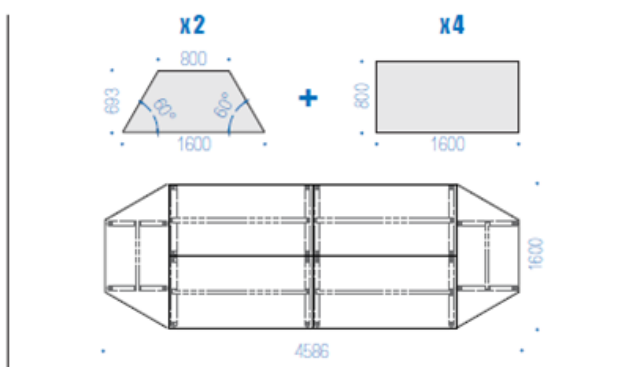
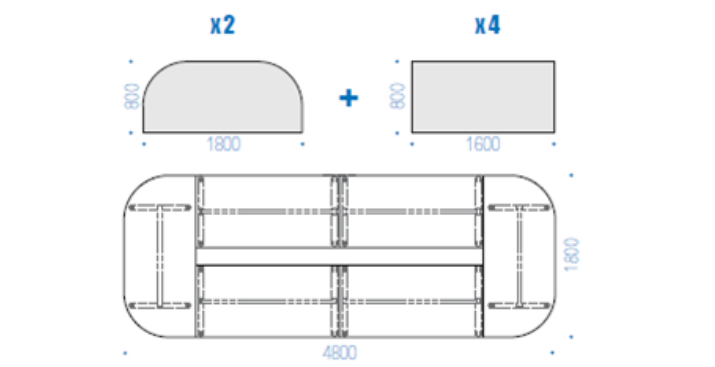


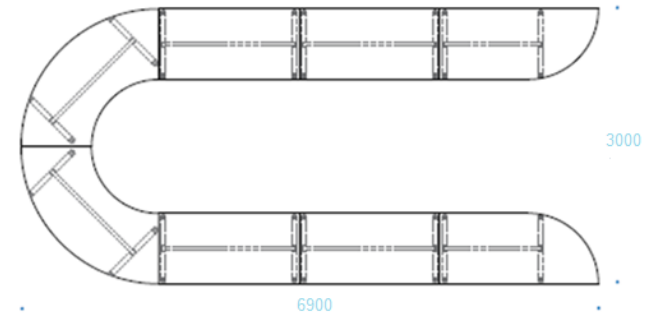
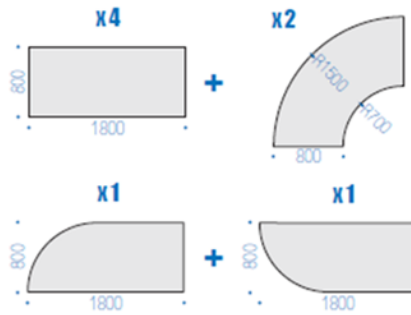
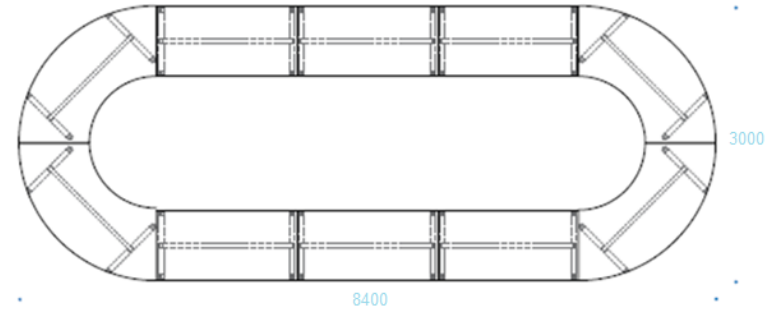
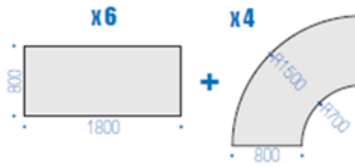
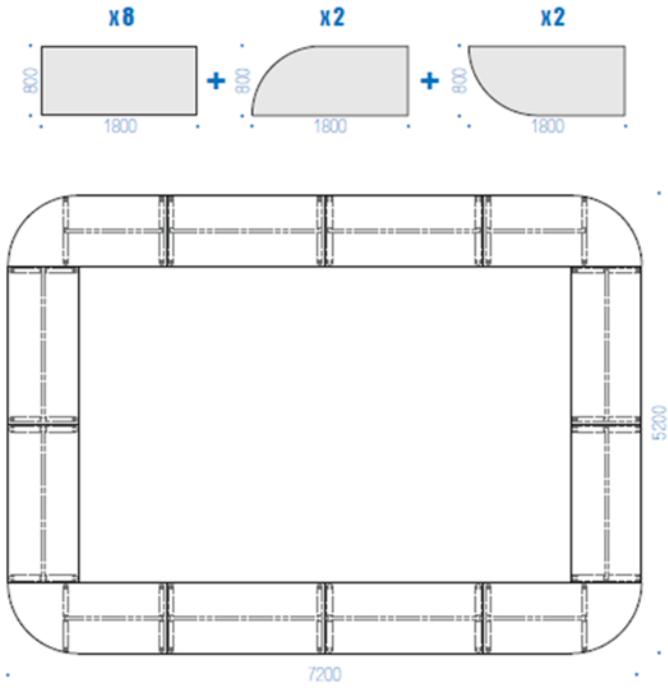
ARCHIMEDE 180AM



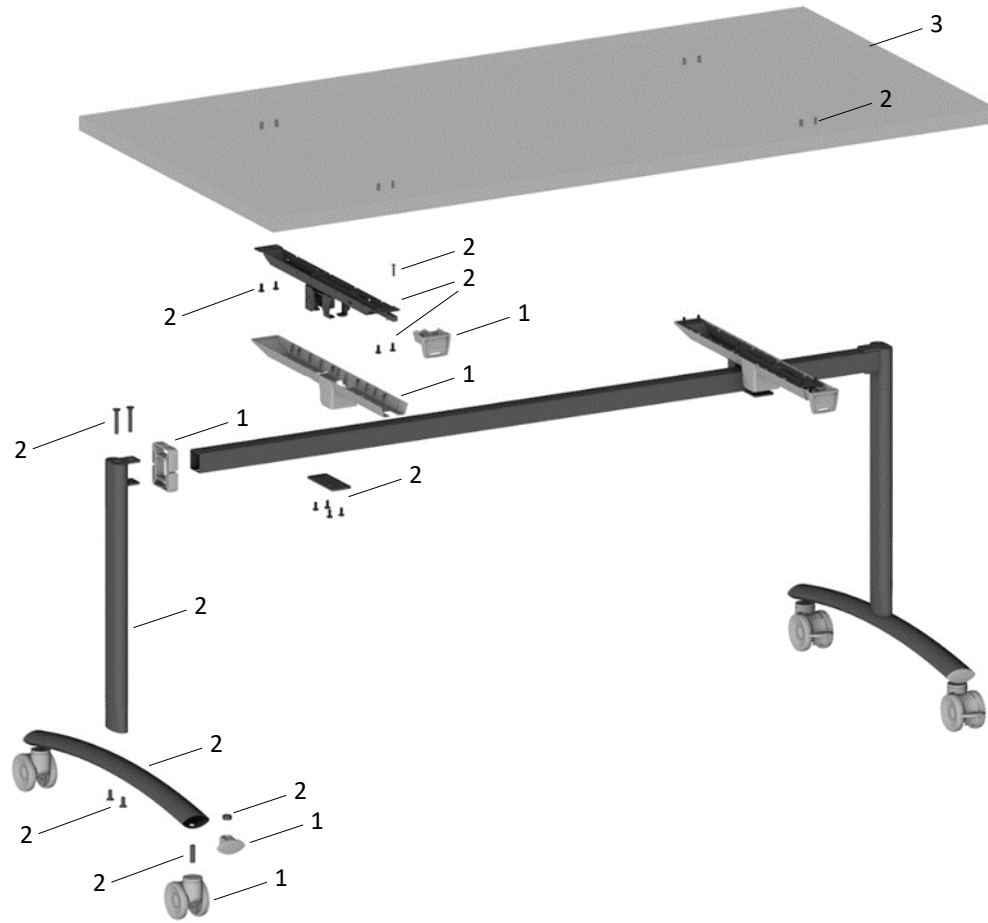
ARCHIMEDE 184AB

Compositions





DISASSEMBLABILITY OF THE PRODUCT



1	PLASTIC
2	METAL
3	WOOD

METAL PARTS

Certification of compliance in accordance with Directive 2011/617/UE on the restriction of the use of certain hazardous substances in electrical and electronic equipment (ROHS II), delegated Directive 2015/863/UE amending Annex II to Directive 2011/65/UE concerning the list of restricted substances (ROHS III) and Regulation No 1097/2006 concerning the Registration, Evaluation, Authorisation and Restriction of Chemicals (REACH).

PAINTED PARTS

Certification of compliance in accordance with EN ISO 11890-2:2013, Paints and varnishes - Determination of volatile organic compound (VOC) content — Part 2

CHROME PARTS

Certification of compliance in accordance with Regulation (EC) No 1907/2006 (REACH) and with UNI EN 1811:2015, Reference test method for release of nickel from all post assemblies which are inserted into pierced parts of the human body in compliance with Annex XVII of Regulation No 1097/2006 concerning the Registration, Evaluation, Authorisation and Restriction of Chemicals (REACH).

PACKAGING

From suppliers certified who use responsibly sourced materials.

RECYCLING OF THE PRODUCT

Once decommissioned, avoid release into the environments. Recyclable product separating its components.

CLEANING

For the metal parts, we recommend to use only a damp cloth with alcohol and to dry everything very well after cleaning.

For painted surfaces, please use only a damp cloth with water and neutral liquid detergent. Do not use solvents, trichloroethylene, acetone or ammonia.

WARRANTY

Archimede is guaranteed 10 years (full text of warranty on request). An improper use of the product precludes its warranty.

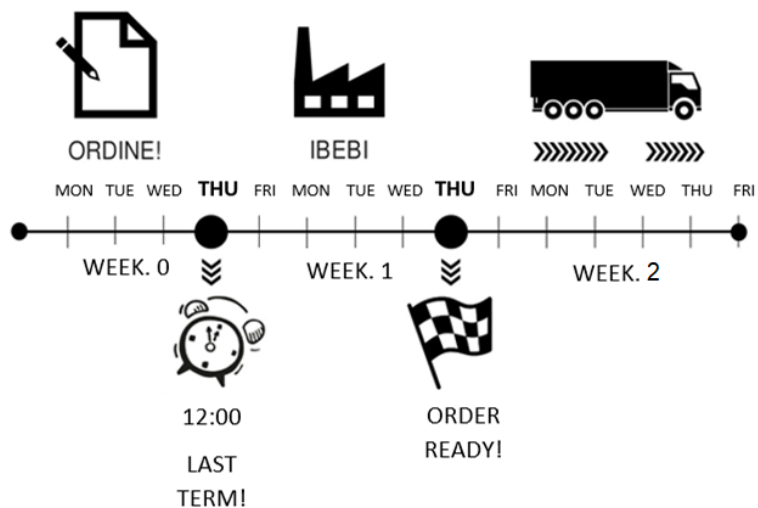
IMPROPER HANDLING

Not allowed: structural changes and/or tampering with the product.

FAST DELIVERY



Available only for tables without electricity and/or multimedia modules.
 Available only for tables with MFC, MFC FSC® (available upon request), MFC 3D and MDF PerfectSense tabletops.



Compliance certificate in accordance with
 UNI EN 15372:2016, 2°level.



The mark of
 responsible forestry

*Products available upon request